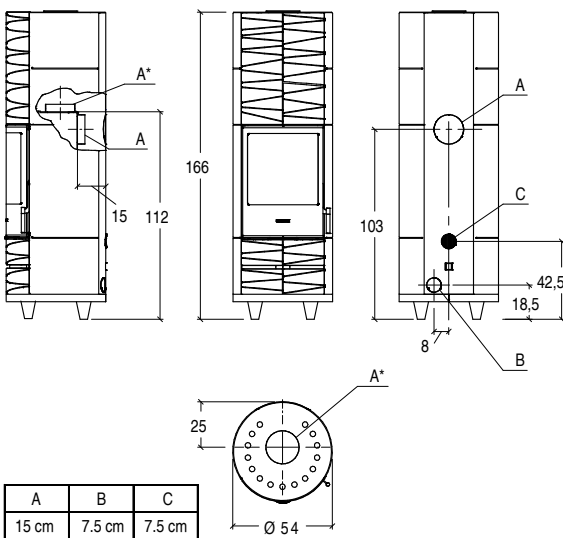


HERMETIC WOOD-BURNING STOVES

ROUND-H



Two-colour Version:
Bianco (Front) / Ardesia (Sides)
Bianco Grigio (Front) / Terra Cotta (Sides)



TECHNICAL DATA

• Room heating capacity (min - max) *	m ³	125 - 215
• Firebox heat output	kW	9
• Nominal heat output	kW	7,5
• Nominal thermal efficiency	%	> 83
• Nominal consumption	kg/h	1,8
• Standard flue outlet Ø	cm	15
• Dimensions W x D x H	cm	54 x 54 x 166
• Stove weight	kg	185
• Stove weight incl. HSS	kg	444

GENERAL CHARACTERISTICS

• Cladding	Majolica
• Stove	airtight, steel
• Steel feet as standard supply	removable
• Firebox	Aluker®
• Baffle plate	Aluker®
• Brazier	cast iron
• Ash drawer	removable
• Door	steel
• Door handle	steel and silicone
• Standard flue outlet position	top or rear ****
• Air vent	front - directional
• Ceramic glass	self-cleaning and resistant up to 750°C
• Glass cleaning system	Air Glass
• Pre-heated primary and secondary air	adjustable
• Pre-set tertiary air	pre-heated
• Multifuoco System® with remote control	optional
• Multifuoco System Plus with LCD remote control	optional
• Heat Storage System	optional
• Installation ***	wall - corner

* The heating capacity value is calculated based on nominal heat output and refers to rooms with a thermal requirement between 0.060 and 0.035 kW per m³.

*** Please refer to the instruction manual for details regarding the installation type.

**** The rear flue outlet option is not compatible with the HSS kit.

Data obtained under laboratory conditions using beech wood with moisture content below 20%. Consumptions may vary according to the dimensions and the type of wood used.