



## P985 THERMO

Thermo Pellet Stove in Majolica. It heats water for radiator or underfloor heating systems, firebox heat output 18,3 kW. It can be used as a supplement to the heating system, also for seasonal use, or as an alternative to the traditional system, since it can also be connected to the room thermostat.

Compact and with a modern stylish design, it features an ample frontal cladding surface in majolica. It is easy to install due to its reduced depth of just 29 cm.

The standard remote control enables you to set daily, weekly and weekend programmes.

The Energy Saving and Eco functions allow you to achieve considerable savings during operation. The Easy Cleaning and Automatic Cleaning systems reduce and simplify cleaning operations.

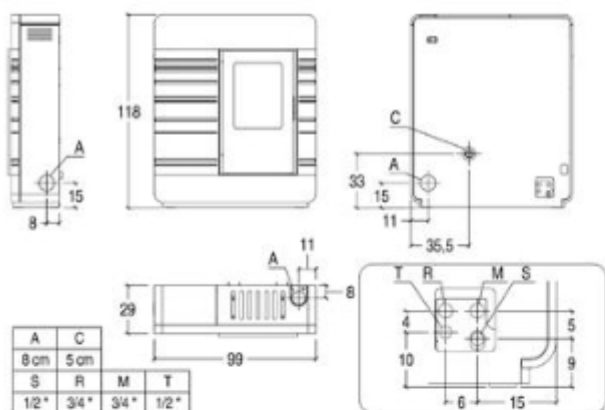
You can even manage the operation of the stove at a distance with an SMS text message.

### COLOURS ✓



### GENERAL TECHNICAL CHARACTERISTICS

#### TECHNICAL DRAWING



### TECHNICAL DATA

Potenza nominale (min-max)	kW	5,7 - 16,2
Potenza al fluido (min-max)	kW	4,0 - 12,8
Regolazione potenza (posizioni)		automatica a 16 livelli in base alla temperatura dell'acqua impostata
Rendimento termico (min-max)	%	93,4
Consumo nominale (min-max)	Kg/h	1,2 - 3,5
Dimensioni LxPxH	cm	99x32x118
Rivestimento/frontale		majolica
Piano superiore		rolling top
Monoblocco		acciaio
Deflettore		acciaio
Focolare		Acciaio-Aluiker
Braciere		ghisa
Scarico fumi Ø	cm	8 - posteriore/laterale/superiore destro
Caldala		acciaio
Circolatore e sicurezze		di serie
Vaso espansione		di serie
Kit acqua calda sanitaria		
Cassetto cenere		
Porta		acciaio-ghisa
Vetro Ceramico		resistente a 750°C
Maniglia		acciaio finitura nichelata
Capienza serbatoio (circa)	kg	18
Pannello di controllo sulla stufa		a comandi digitali
Cronotermistato con programmazione		6 fasce orarie giornaliere
Potenza assorbita a regime massimo	Watt	110
Potenza massima assorbita	Watt	390
Peso complessivo	Kg	215

The availability of models may vary from Country to Country.