

HERMETIC WOOD-BURNING STOVES

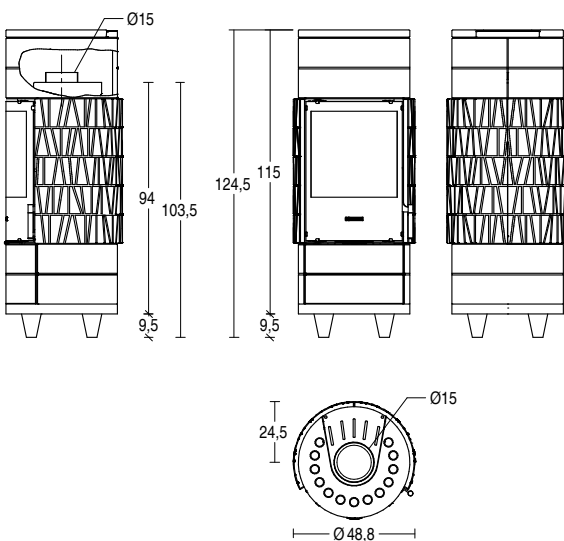
CIRCLE



Ardesia Bianco Bianco Grigio Terra Cotta Grigio Cerato Rosso Lava

Two-colour Version:

Ardesia (Rings) / Bianco (Sides)
Terra Cotta (Rings) / Bianco Grigio (Sides)



TECHNICAL DATA

• Room heating capacity (min - max) *	m ³	100 - 175
• Firebox heat output	kW	7,5
• Nominal heat output	kW	6
• Nominal thermal efficiency	%	> 80
• Nominal consumption	kg/h	1,6
• Standard flue outlet Ø	cm	15
• Dimensions W x D x H	cm	49 x 49 x 125
• Stove weight	kg	145
• Stove weight incl. HSS	kg	213,5

GENERAL CHARACTERISTICS

• Cladding	Majolica
• Stove	airtight, steel
• Steel feet as standard supply	removable
• Firebox	Aluker®
• Baffle plate	Aluker®
• Brazier	cast iron
• Ash drawer	removable
• Door	steel
• Door handle	steel and silicone
• Standard flue outlet position	top
• Humidifier	steel **
• Rotating base	optional
• Ceramic glass	self-cleaning and resistant up to 750°C
• Glass cleaning system	Air Glass
• Pre-heated primary and secondary air	adjustable
• Pre-set tertiary air	pre-heated
• Heat Storage System	optional
• Installation ***	room centre - wall - corner

* The heating capacity value is calculated based on nominal heat output and refers to rooms with a thermal requirement between 0.060 and 0.035 kW per m³.

** Not compatible with HSS kit.

*** Please refer to the instruction manual for details regarding the installation type.

Data obtained under laboratory conditions using beech wood with moisture content below 20%. Consumptions may vary according to the dimensions and the type of wood used.