



## OXFORD

Rational and creative. Oxford with its particular rounded shape immediately attracts attention especially when installed in the centre of a room. Its installation flexibility offers every possibility of organising your interior space as you want it.



### GENERAL TECHNICAL CHARACTERISTICS

#### Natural heating distribution

Radiant, conduction and natural convection heating

#### Heating with Multifuoco System®

Optional forced ventilation kit with 4 speed settings with remote control. Air ducting up to 10 m

#### Structure

Inset 555T SL and door in steel, grate and hood in cast iron, firebox in Aluiker®

#### Cladding

Enamelled steel

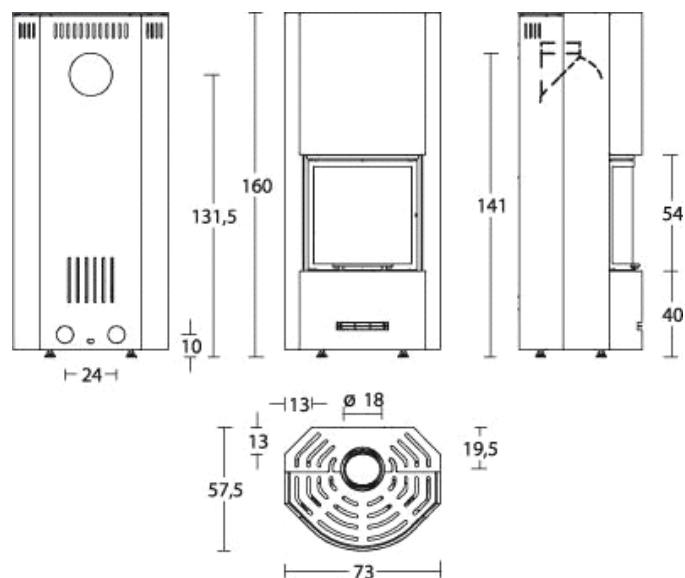
#### Air Glass System

Self-cleaning ceramic glass resistant up to 750°C

#### Easy Cleaning

Quick and easy maintenance, removable ash pan

### TECHNICAL DRAWING



### TECHNICAL DATA

Room heating capacity (min-max)	m <sup>3</sup>	120 - 200
Nominal thermal efficiency	%	78,0
Rated heat output	kW	7,0
Consumption at rated heat output	Kg/h	2,3
Maximum heat output	kW	10,0
Maximum consumption		3,5
Dimensions WxDxH	cm	73 x 57,5 x 160
Cladding		acciaio verniciato
Front		acciaio verniciato
Firebox		acciaio
Primary and secondary air		primaria regolabile secondaria predeterminata
Air combustion kit		
Firebox		Aluiker
Brazier		ghisa
Flue outlet Ø	cm	18 superiore o posteriore
Ash drawer		estraibile
Door		acciaio verniciato
Ceramic glass		resistente a 750°C autopulente
Door handle		acciaio verniciato
Wellness -umidifier in stainless steel		no
Oven in stainless steel (LxWxH)	cm	
Multifuoco System®		optional
Front air vents-orientable		si/si
Forced Convection kit		
Total weight	Kg	241

The availability of models may vary from Country to Country.